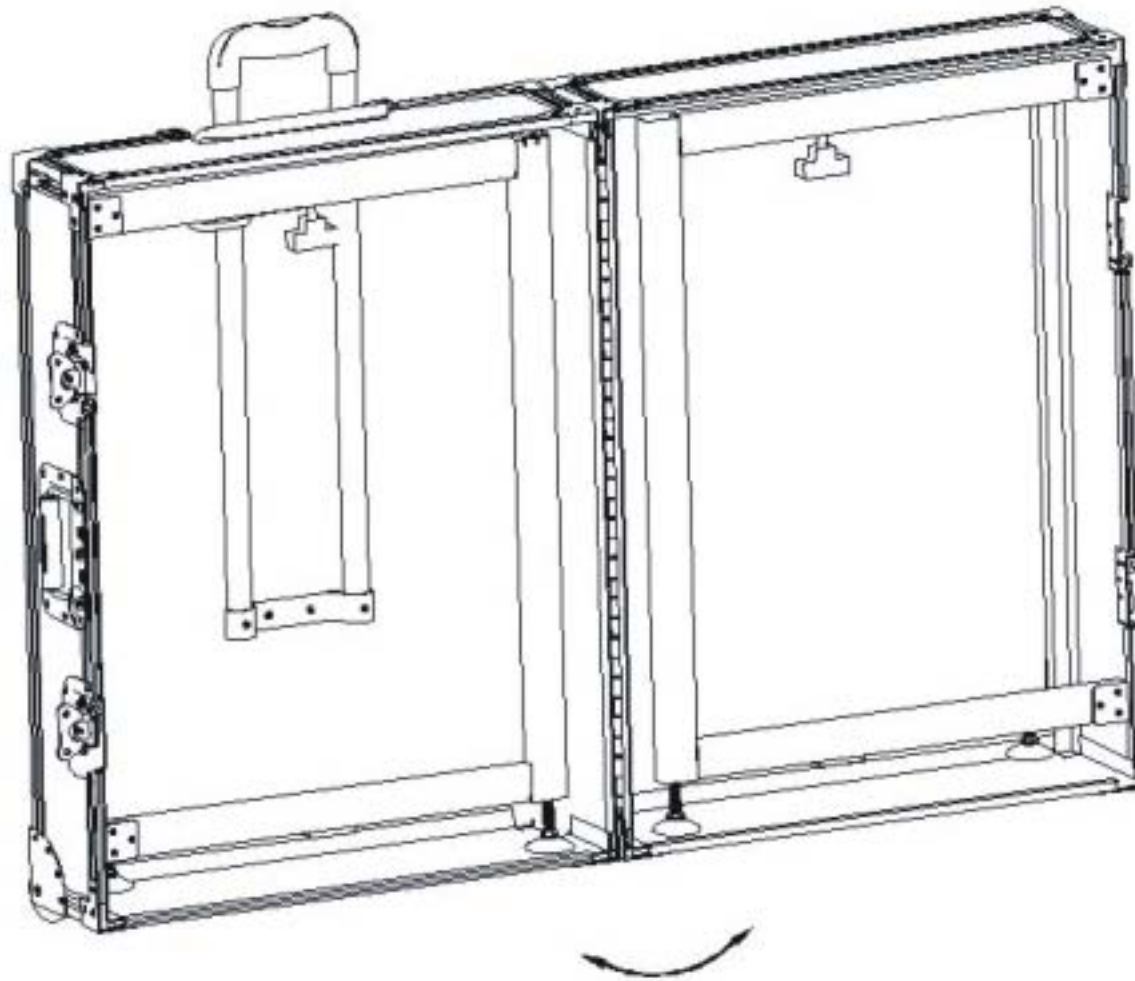
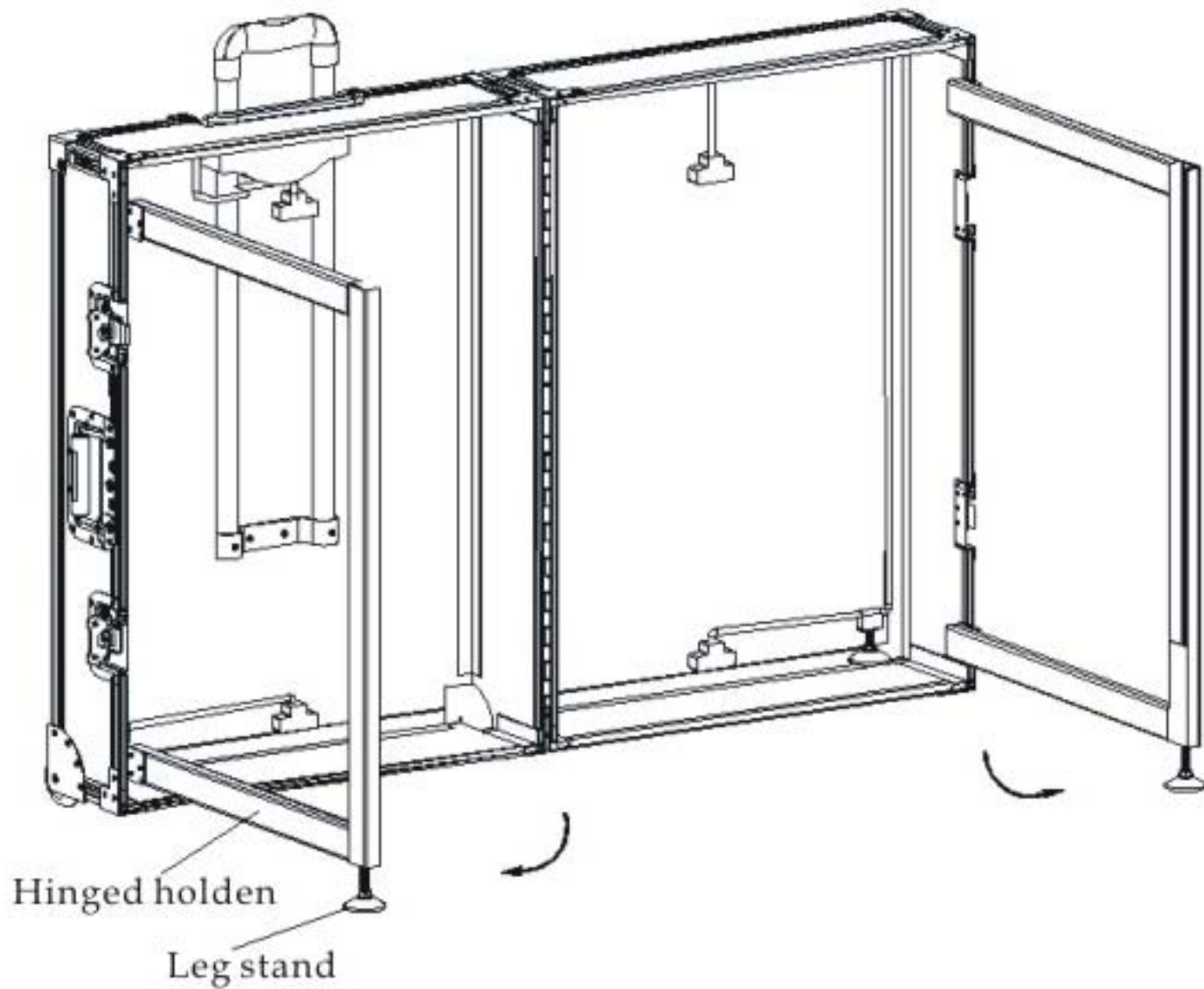


Step one :

Open the Portable Bar case by turning the adjustable latch counterclockwise.

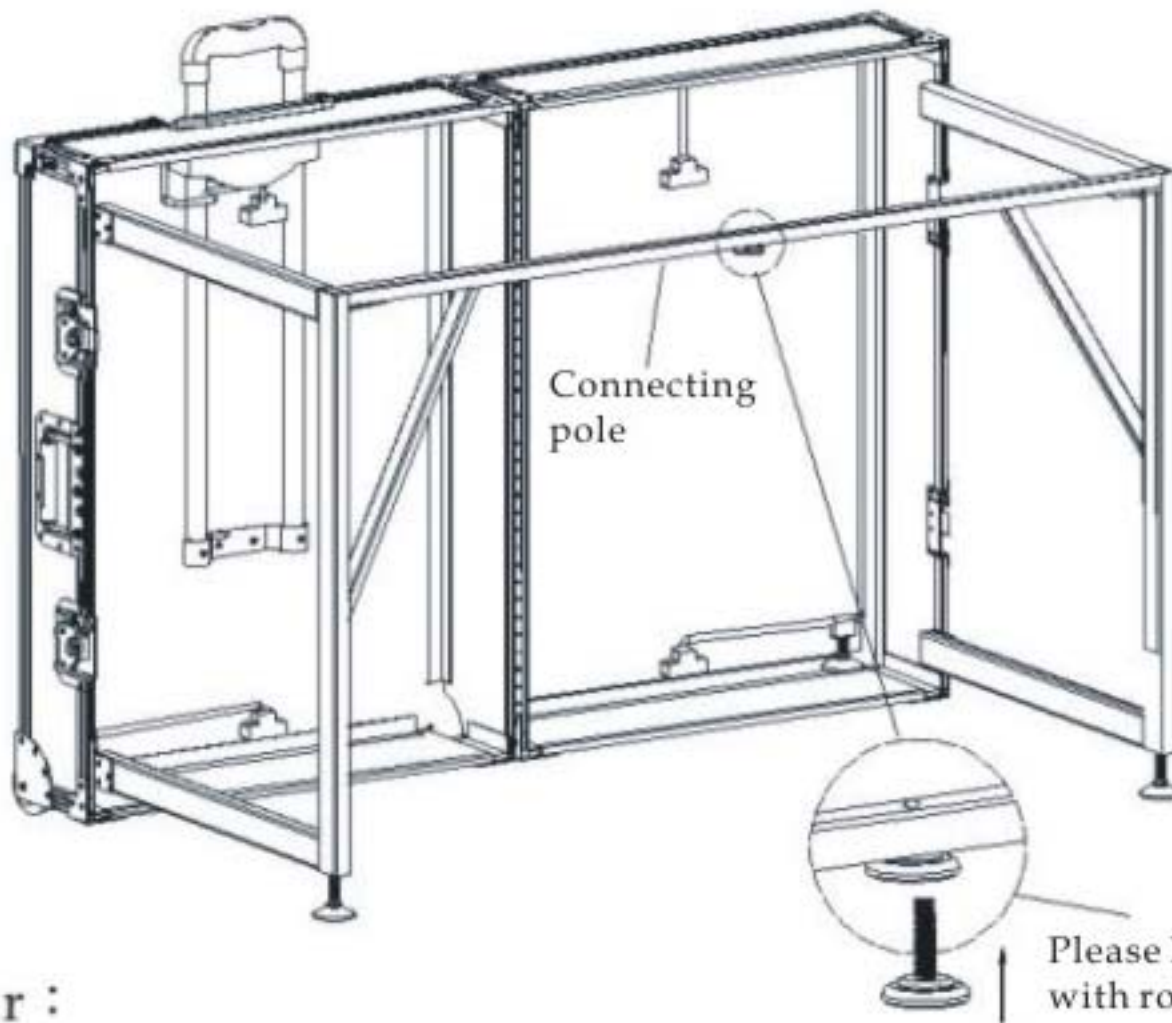


Step two :  
Open up the case taking out the accessories from inside.



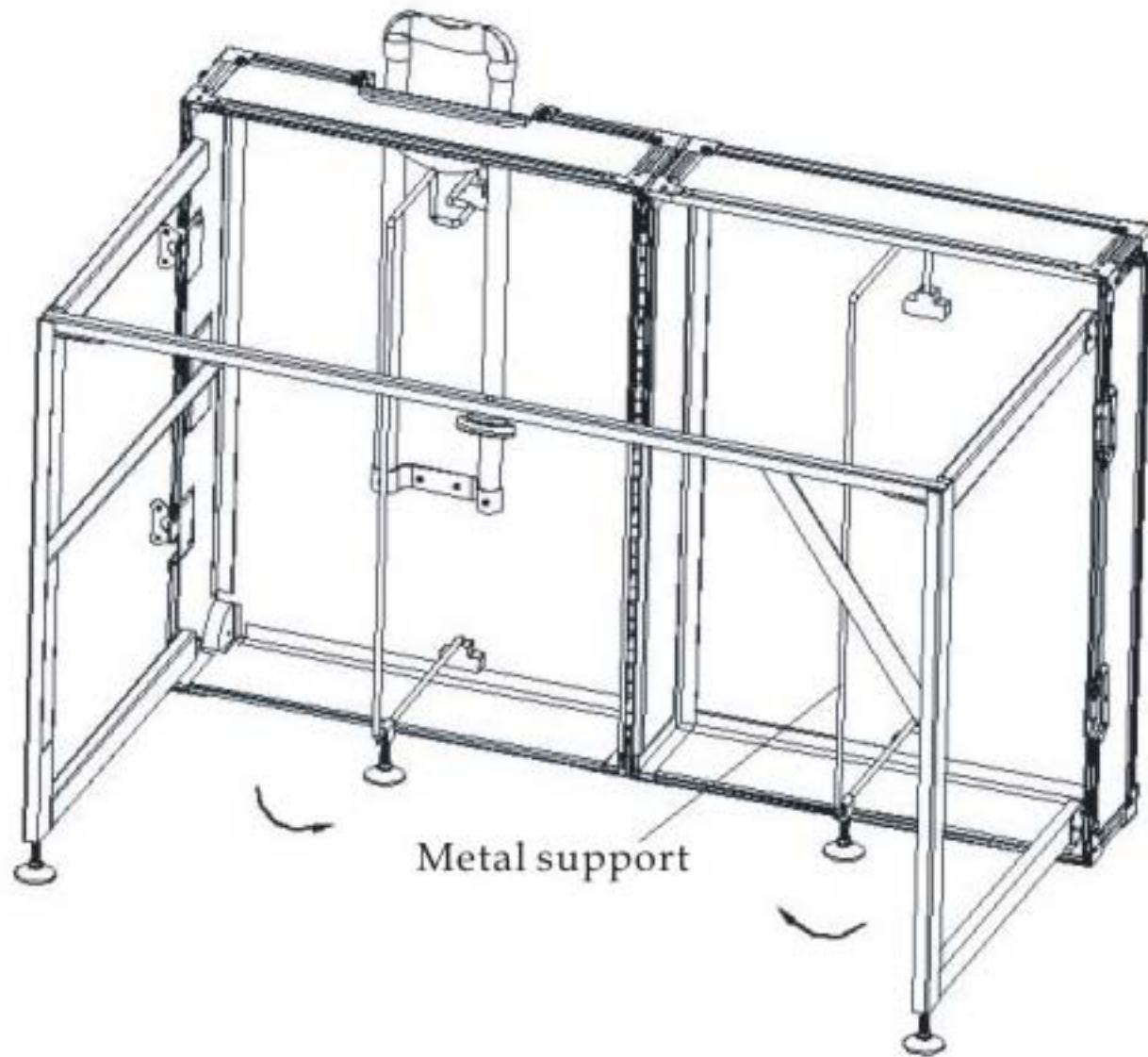
Step three :

Extend outward the hinged holders on both sides while adjusting the leg stands to a suitable height level.



#### Step four :

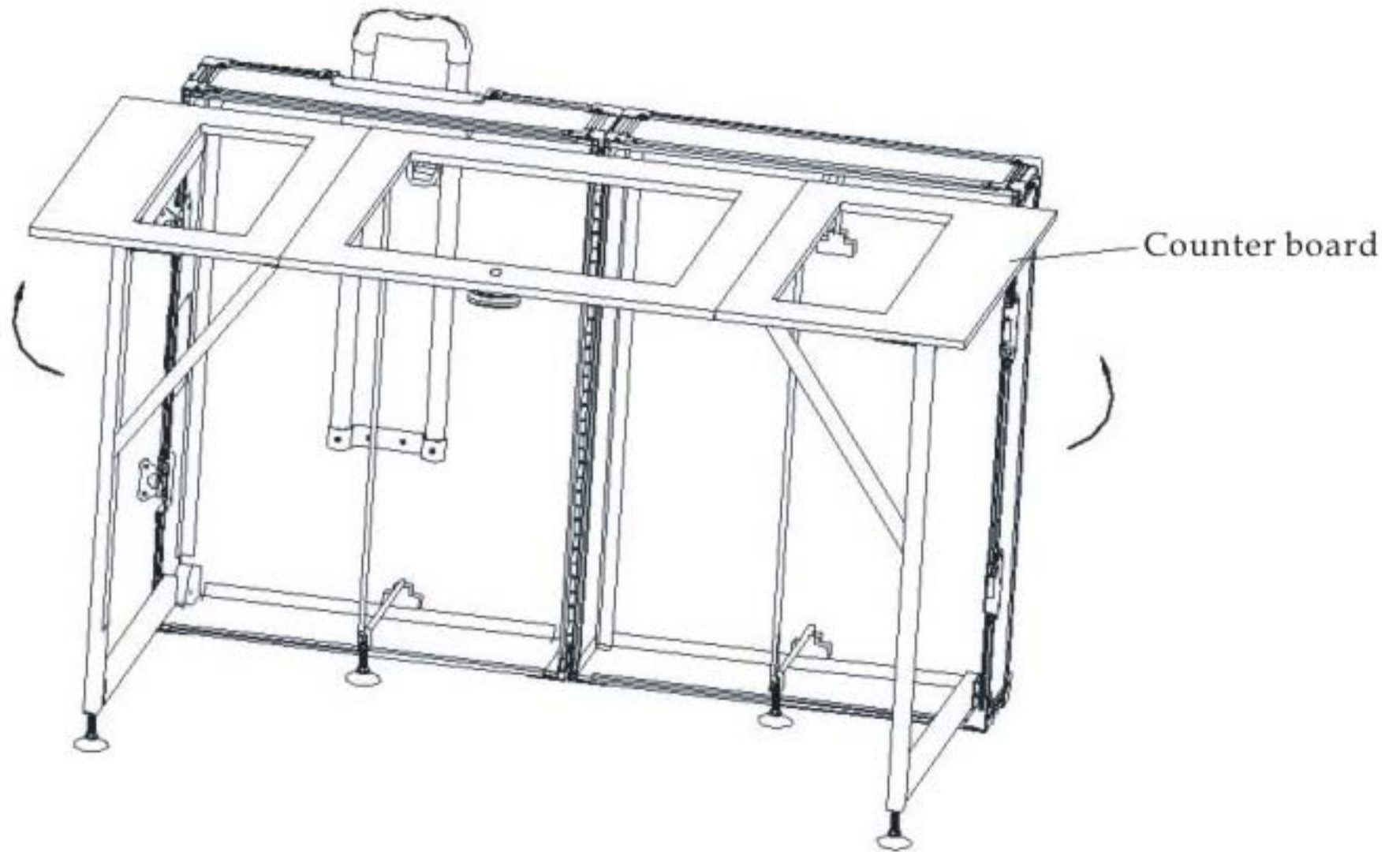
Connect the hinged holders on both sides' with the supports provided stabilizing as one solid working unit.



**Step five :**

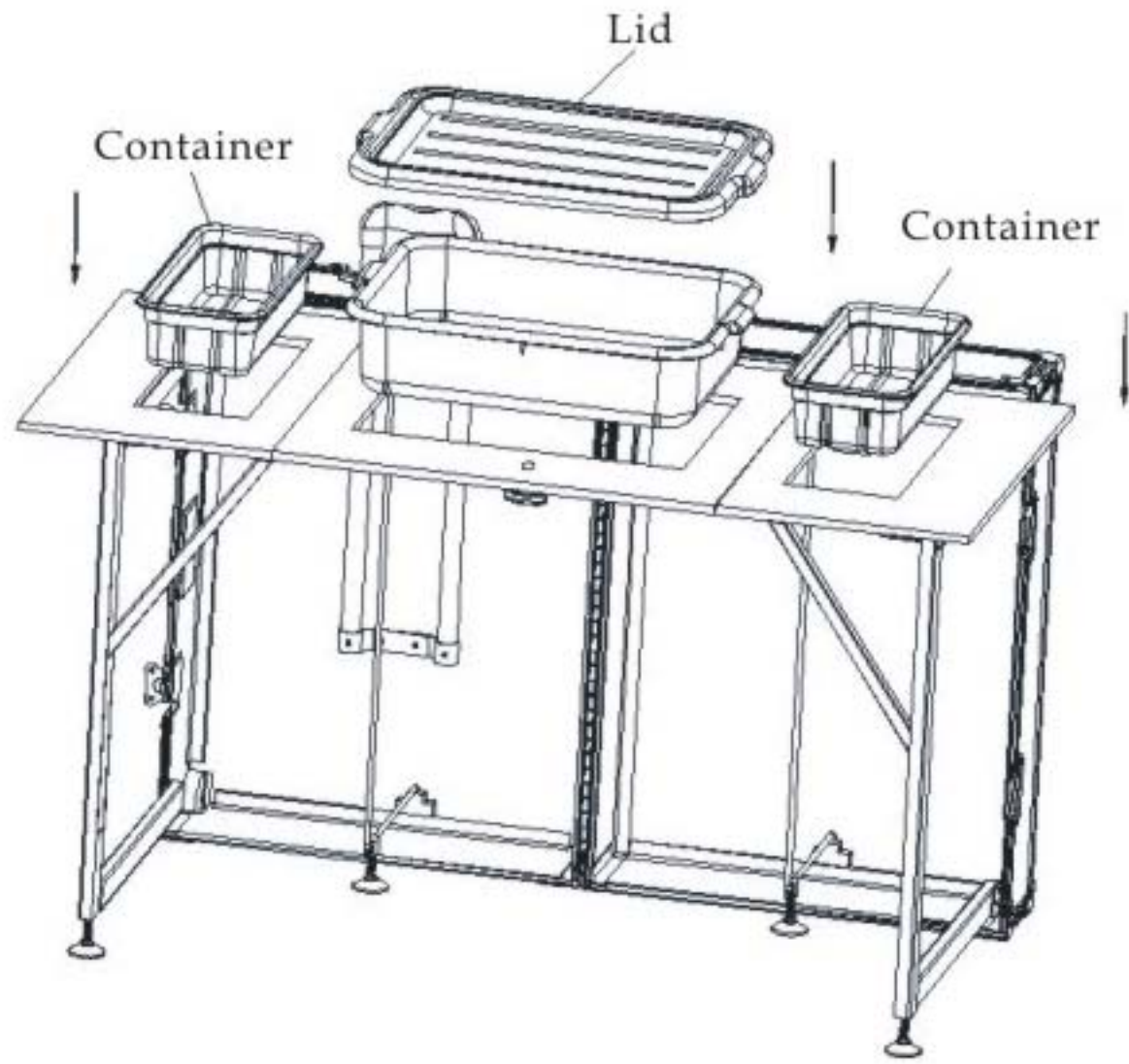
Pull out the two front metal supports from inside the case, while adjusting the position and height for stand.

---



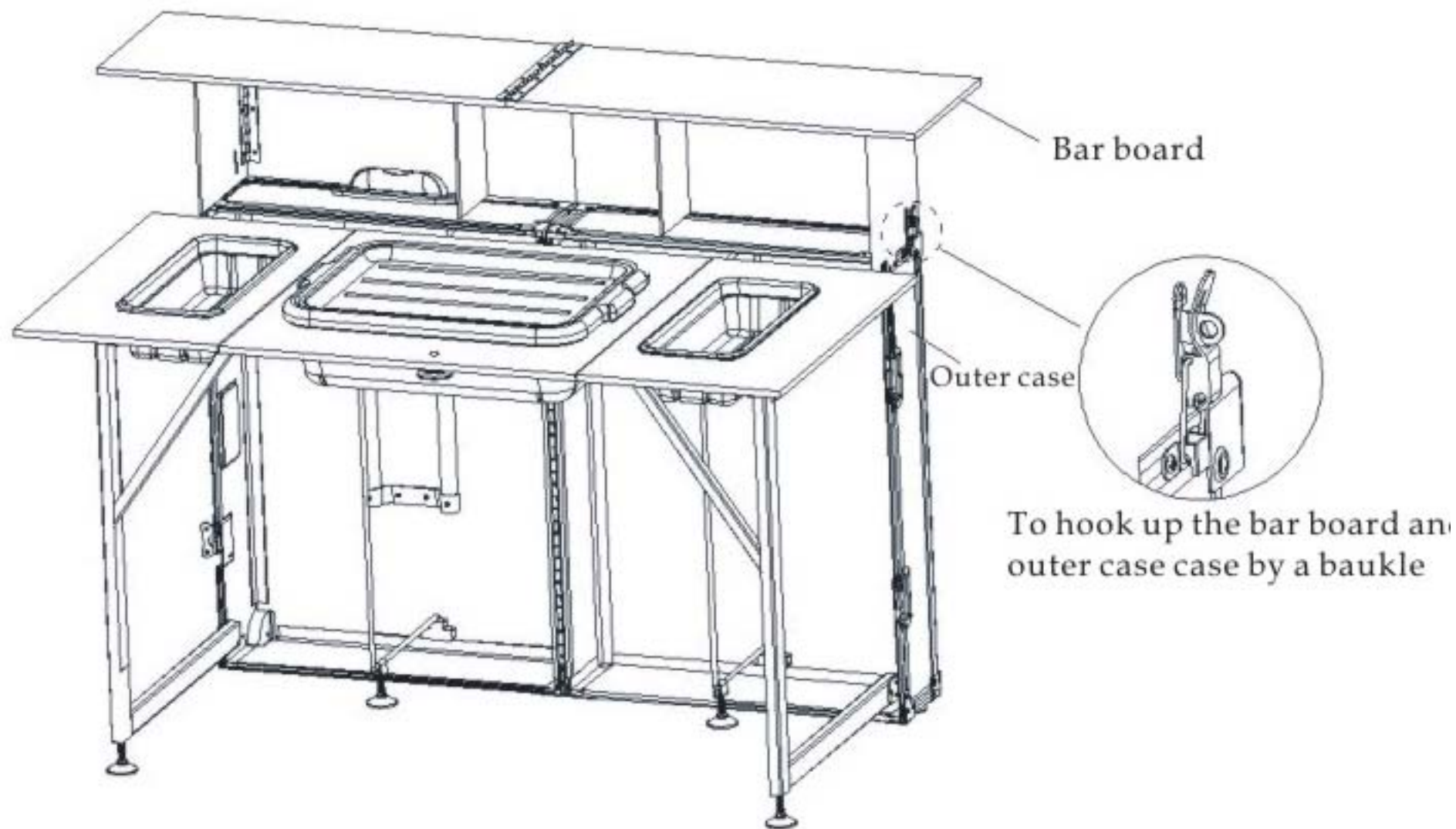
Step six :

Unfold the counter board and position it on top of the stand, while attaching it up to the stand.



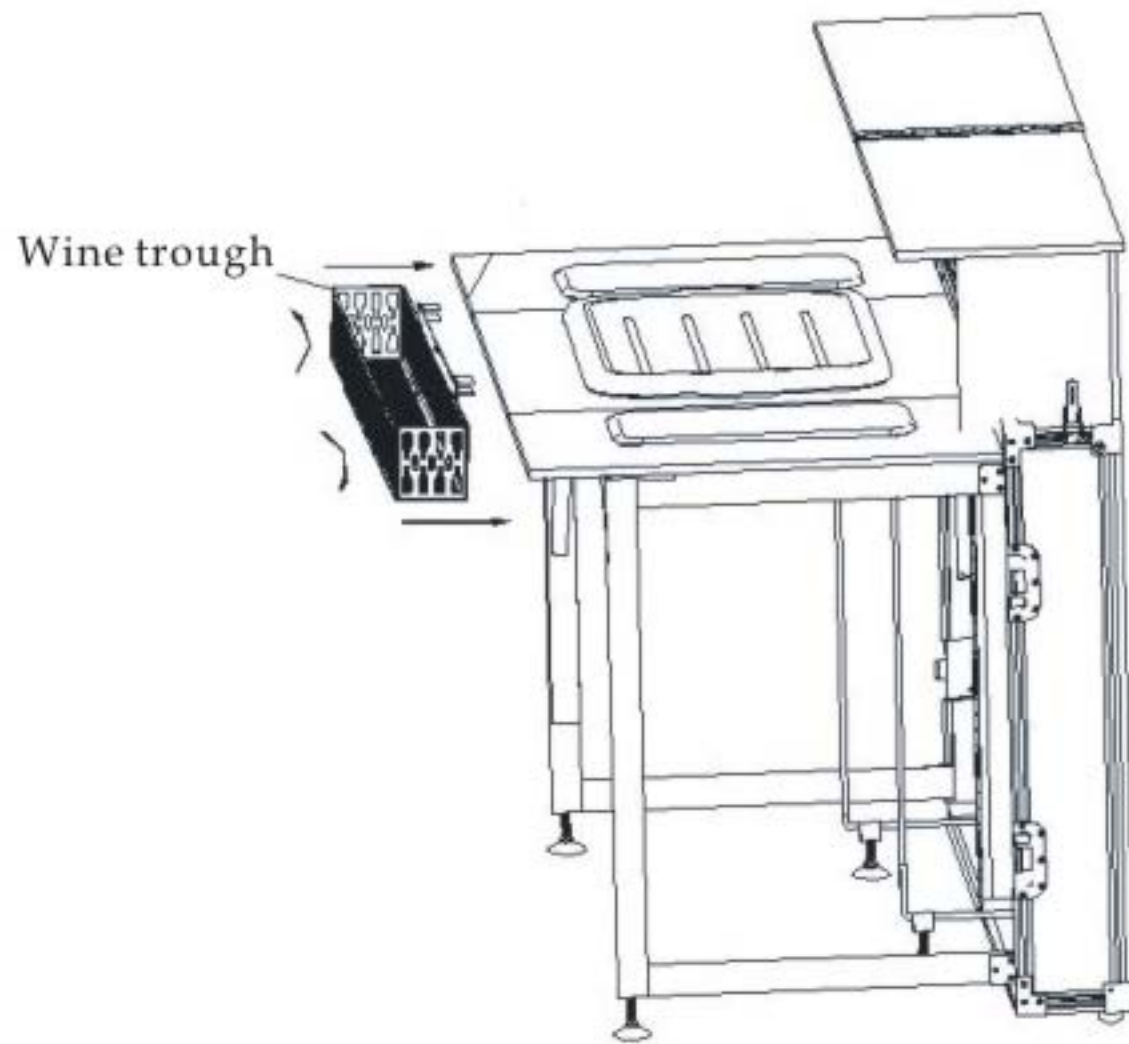
**Step seven :**

Place the containers in the different compartments provided on the counter board and cover with lids.



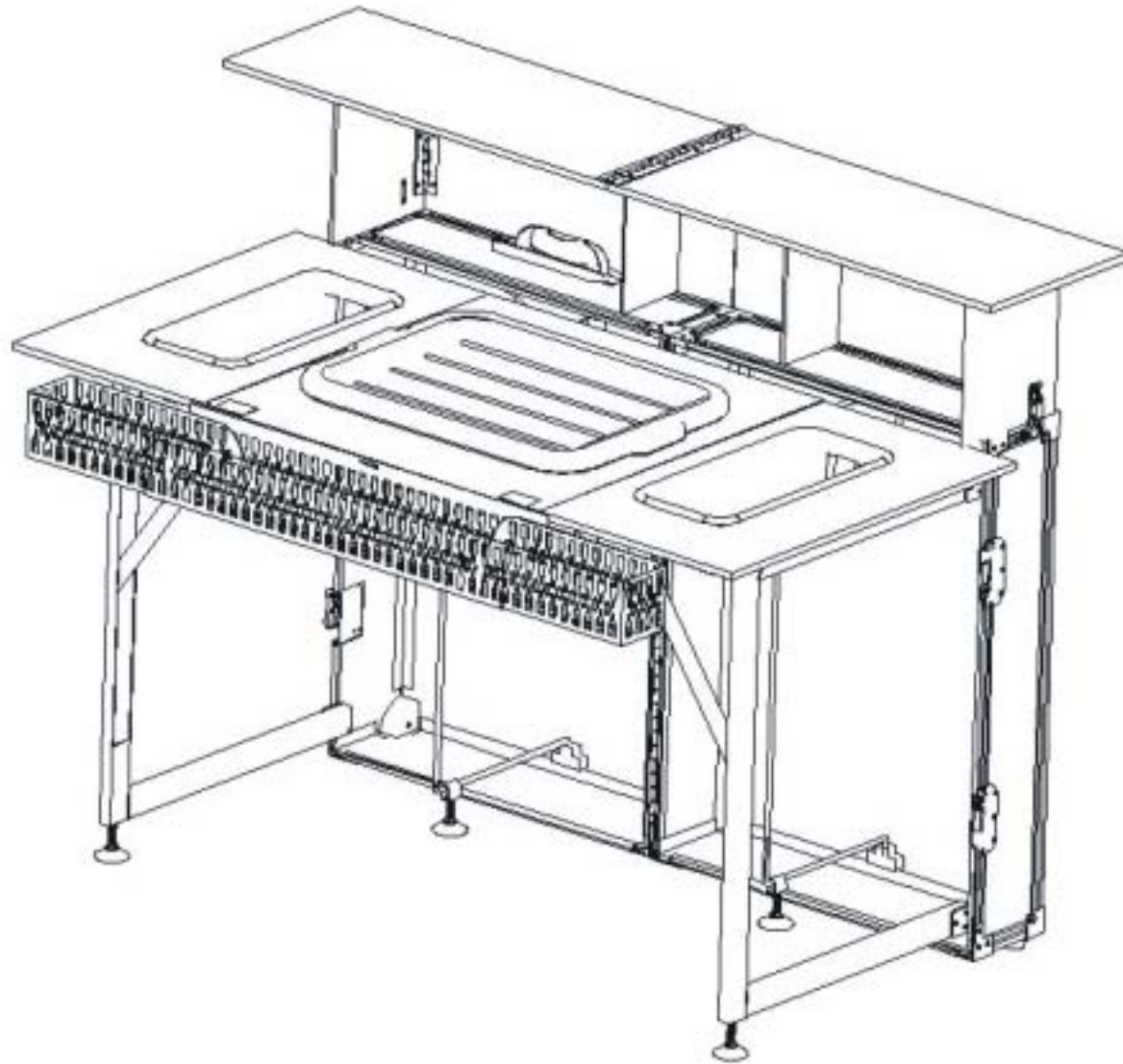
### Step eight :

Unfold and place the bar board on top of and in front of the working counter securing it to the outer case attachment provided.



Step nine :

Unfold Open up the wine trough fastening it on the side of the counter board.



### Step ten :

Finally, double check that the unit's construction resembles that of the finished product photo provided.